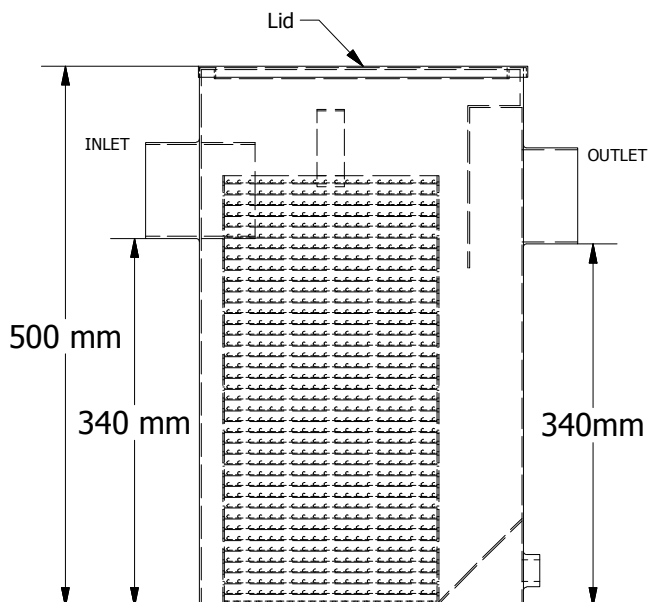
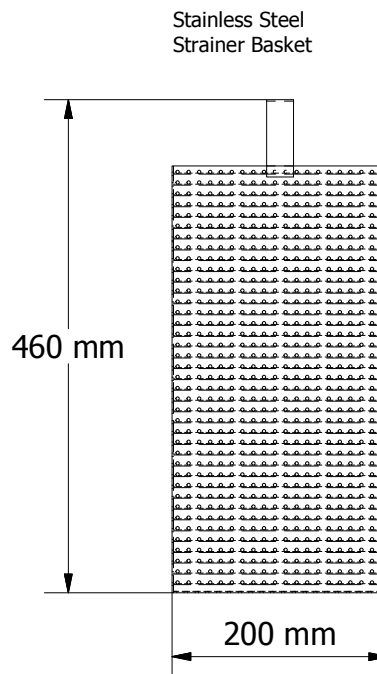


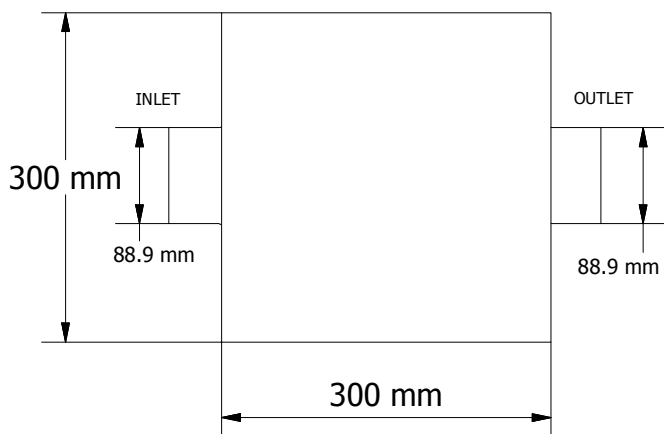
## SIDE PROFILE



## SIDE PROFILE - STRAINER BASKET REMOVED



## TOP VIEW



## INSTALLATION ADVICE

ST12 SYSTEM SHOULD BE CONNECTED TO DN 80 SINK WASTE PIPES USING RUBBER COUPLINGS AS PROVIDED.

CONNECTION TO DN 50 AND ALSO DN 100 PIPES IS OPTIONAL BY REQUESTING ALTERNATIVE COUPLERS FROM FM ENVIRONMENTAL.

ENSURE A CLEARANCE OF 450MM IS PROVIDED FOR REMOVAL OF INTERNAL STRAINER BASKET.

ENSURE A GRAVITY FALL OF 1:100 IS MAINTAINED MINIMALLY BEFORE INLET AND AFTER OUTLET OF THIS SYSTEM.

ST 12 IS SUITABLE FOR CONNECTION UPSTREAM OF GREASE GUARDIAN MODEL D3

**NOTE: A LOW LEVEL POSITION OUTLET IS OPTIONAL FOR THIS SYSTEM ON REQUEST**

## MAINTENANCE NOTES:

### FOOD WASTE STRAINER BASKET

STEEL BASKET IS BE REMOVED WHEN 3/4 FULL. REMOVE ST 12 LID. LIFT OUT BASKET AND DISPOSE OF CONTENTS TO FOOD BIN. BEFORE REPLACING BASKET ENSURE BASKET PERFORATIONS ARE CLEAR BY SPRAY CLEANING EXTERIOR SIDE OF MESH.

### PRODUCT CHARACTERISTICS

	TANK	METAL STRAINER
MATERIAL	STAINLESS STEEL, 304, 16 GAUGE	STAINLESS STEEL; 3MM PERFORATIONS
VOLUME	-	12 KG